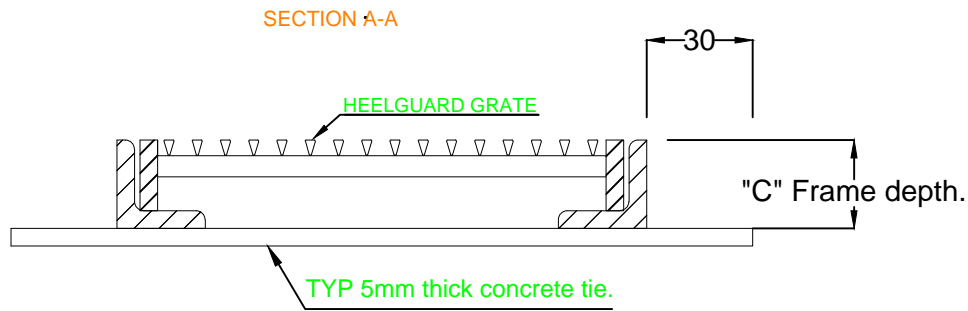
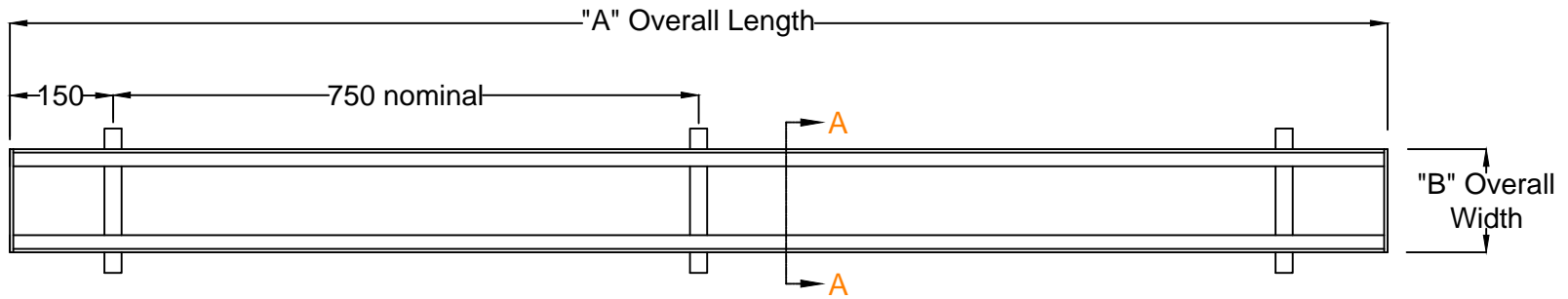


Paige Stainless Heelguard - 'Trench frame and grate'.

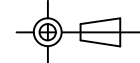


FUNCTIONAL DIMENSIONS			Load class- A,B,C,D.
"A"	"B"	"C"	

*NOTE - Depth may vary with load class.



THIRD ANGLE PROJECTION



CONTROLLED DOCUMENT
NO UNAUTHORISED COPYING

27 CESSNA DRIVE
CARBOULTURE QLD. 4510.
PH. 0754 991 511
FAX. 0754 990 741
P.O BOX 153
BURPENHARY 4505

Paige Stainless Fabrications.
PAIGE STAINLESS PTY. LTD.
ABN: 75 066 083 510